

**FEATURES:**

- Nominal Voltage 24 VDC
- 24 VDC units have field selectable candela options of 15, 30, 60, 75, and 110 candela
- GEH horn is available in 12 or 24 Volt
- Super-Slide™ Bracket - Ease of Supervision Testing
- Checkmate™ - Instant Voltage Verification
- Unit Dimensions: 5" high x 4.5" wide x 2.5" deep
- Synchronize Strobe and/or Horn with Gentex Series Control Module (12 Volt product must use the AVSM Module)
- Pre-wire Entire System, Then Install Your Signals
- Lower Installation and Operating Costs
- Input Terminals 12 to 18 AWG
- Switch Selection for High or Low dBA
- Switch for Chime, Whoop, Mechanical, and 2400Hz Tone
- Switch for Continuous or Temporal 3 (not available on whoop tone)
- Tamperproof Re-entrant Grill
- Surface Mount with the GSB (Gentex Surface Mount Box)
- Silence Horn While Strobes Remain Flashing
- Wide Voltage Range 16-33 VDC or FWR
- Faceplate Available in Red or Off-White

**DESCRIPTION:**

The Commander3 Series is a low profile strobe or horn/strobe combination that offers dependable audible and visual alarms and the lowest current available. The GE3 Series 24VDC offers tamperproof field selectable candela options of 15, 30, 60, 75, and 110 candela. The 12VDC offers tamperproof field selectable candela options of 15, 30, 60, and 75 candela. The Commander3 Series horn offers a continuous or synchable temporal three in 2400Hz and mechanical tone, a chime, and whoop tone. All tones are easy for the professional to change in the field by using switches.

The GE3 Series has a minimal operation current and has a minimum flash rate of 1Hz regardless of input voltage.

The Commander3 Series is shipped with the standard 4" mounting plate which incorporates the popular Super-Slide™ feature that allows the installer to easily test for supervision. The product also features a locking mechanism which secures the product to the bracket without any screws showing.

**EF-G-GEH/S3/C3 Series  
 Horns, Strobes, Horn/Strobes**



Evax GE3 Series Horns, Horn/Strobes

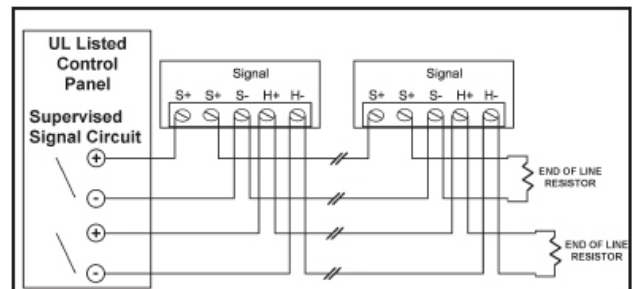
**Product Listings**



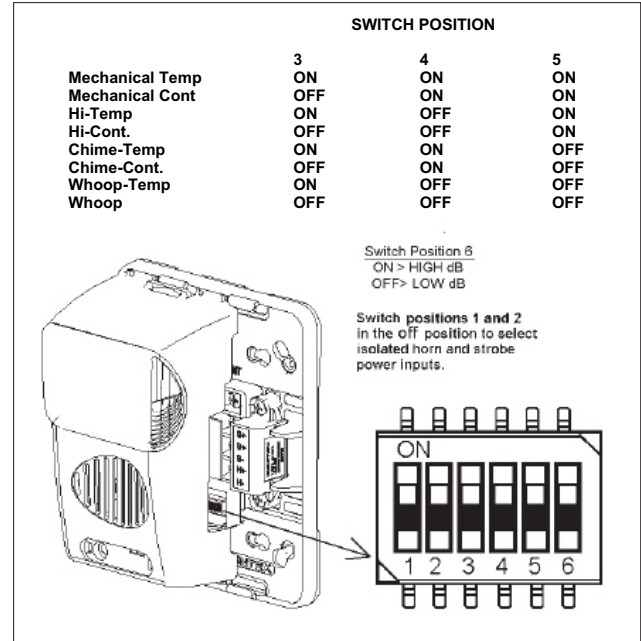
- BFP (City of Chicago)
- CSFM 7135-0569:122 (GEC3-24 & GEH-24)
- 7125-0569:123 (GES3-24)
- 7125-0569:129 (GES3-12)
- 7135-0569:130 (GEC3-12 & GEH-12)
- UL 464 & UL 1971 Listed
- CAN/ULC S526-M87 Listed

The Commander3 also features the *Checkmate™* Instant Voltage Verification feature which allows the installer to check the voltage drop, current draw, and match it to the blueprint.

The GE3 Series appliances are UL 464 and UL 1971, listed for use with fire protective systems.



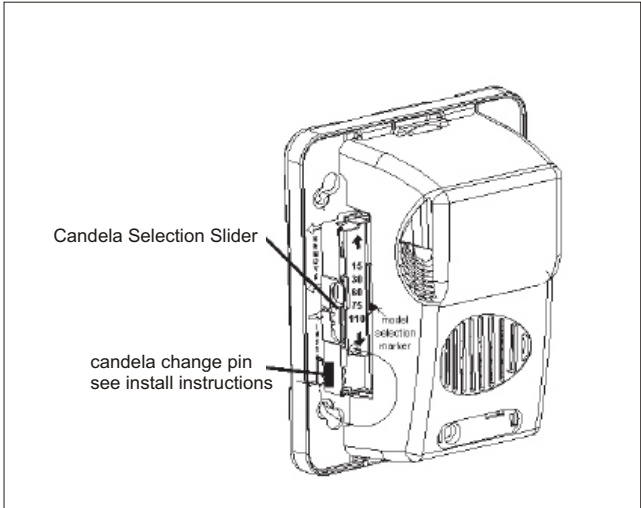
Model Number	Nominal Voltage	Reverberant dBA @ 10ft. Per UL 464	In Anechoic Room dBA @ 10ft.	Candela UL 1971
<b>Low Profile Evacuation Horn only</b>				
EF-G-GEH24-WR	24VDC	62-82	100	n/a
EF-G-GEH24-WW	24VDC	62-82	100	n/a
<b>Selectable Candela Strobe only</b>				
EF-G-GES3-24WR	24VDC	n/a	n/a	15, 30, 60, 75, 110
EF-G-GES3-24WW	24VDC	n/a	n/a	15, 30, 60, 75, 110
EF-G-GES3-24PER	24VDC	n/a	n/a	15, 30, 60, 75, 110
EF-G-GES3-24PWR	24VDC	n/a	n/a	15, 30, 60, 75, 110
<b>Selectable Candela Strobe Low profile Evacuation Horn/Strobe</b>				
EF-G-GEC3-24WR	24VDC	62-82	100	15, 30, 60, 75, 110
EF-G-GEC3-24WW	24VDC	62-82	100	15, 30, 60, 75, 110
EF-G-GEC3-24PWR	24VDC	62-82	100	15, 30, 60, 75, 110
EF-G-GEC3-24PWW	24VDC	62-82	100	15, 30, 60, 75, 110
<b>Synchronization Module</b>				
EF-G-AVSM-R	Dual Synchronization Module - RED			
EF-G-AVSM-W	Dual Synchronization Module - WHITE			



**24 Volt Product Horn Current Rating**

Horn Mode	Minimum dBA @10ft per UL464 (High)	Minimum dBA @10ft per UL464 (Low)	Regulated 24VDC Max. Operating @ High Setting (mA)
Temp 3 2400Hz	78	71*	28
Temp 3 Mechanical	76	70*	25
Temp 3 Chime	70*	66*	15
Continuous 2400 Hz	81	74*	28
Continuous Mechanical	80	72*	25
Continous Chime	70*	66*	15
Whoop	82	69*	56

\* Operating the horn in this mode will result in NOT meeting the minimum UL reverberant sound level required for public fire protection service. These settings are acceptable only for private mode fire alarm use. Chime tone is always private mode.



**24 Volt Product Strobe Current Rating**

Candela	15cd	30cd	60cd	75cd	110cd
24 VDC	30mA	35mA	66mA	80mA	103mA
UL Max	42mA	60mA	97mA	116mA	157mA

*Specifications are subject to change without notice. Specifications are provided for information only and no responsibility is assumed by Evax Systems, Inc. for their use.*