

Description:

Fire Phone accessories give the HMX system two way communication capability.

Fire Phone jacks are mounted on a single gang plate.

Fixed telephone and warden stations are available in Surface/Semi-Flush mount cabinet with a Thumb Turn latch

Ordering Information:

<u>Model Number</u>	<u>Description</u>
MX-FJ	Telephone Jack Brushed Stainless Steel Single Gang Plate
MX-FH	Portable Handset Color - Red (6 mount in MX-TC cabinet)
MX-TC	Telephone Cabinet Holds 6 MX-FH Portable Handset Cabinet: Charcoal Gray - std. -R Red (Surface/Semi-Flush Mount / Key Lock 27 x 14-1/2 x 4" h-w-d)
MX-FS	Fire Phone Station Coil cord / Thumb Turn Latch Cabinet: Red (Surface/Semi-Flush Mount 12-3/4 x 7-1/4 x 3-3/4" h-w-d)
MX-WS	Warden Station Armored cable / Thumb Turn Latch Cabinet: Red (Surface/Semi-Flush Mount 12-3/4 x 7-1/4 x 3-3/4" h-w-d)

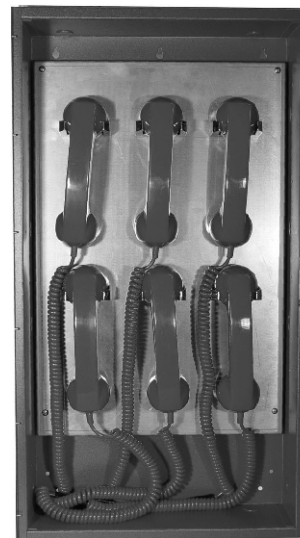
EVAX HMX Fire Phone Equipment



MX-FJ

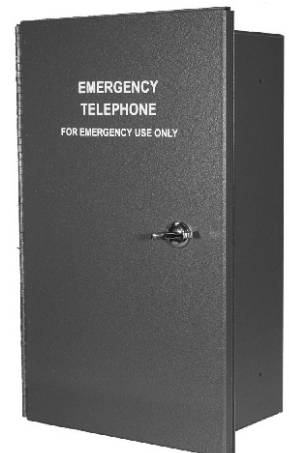


MX-FH



MX-TC
(Shown with 6 MX-FH)

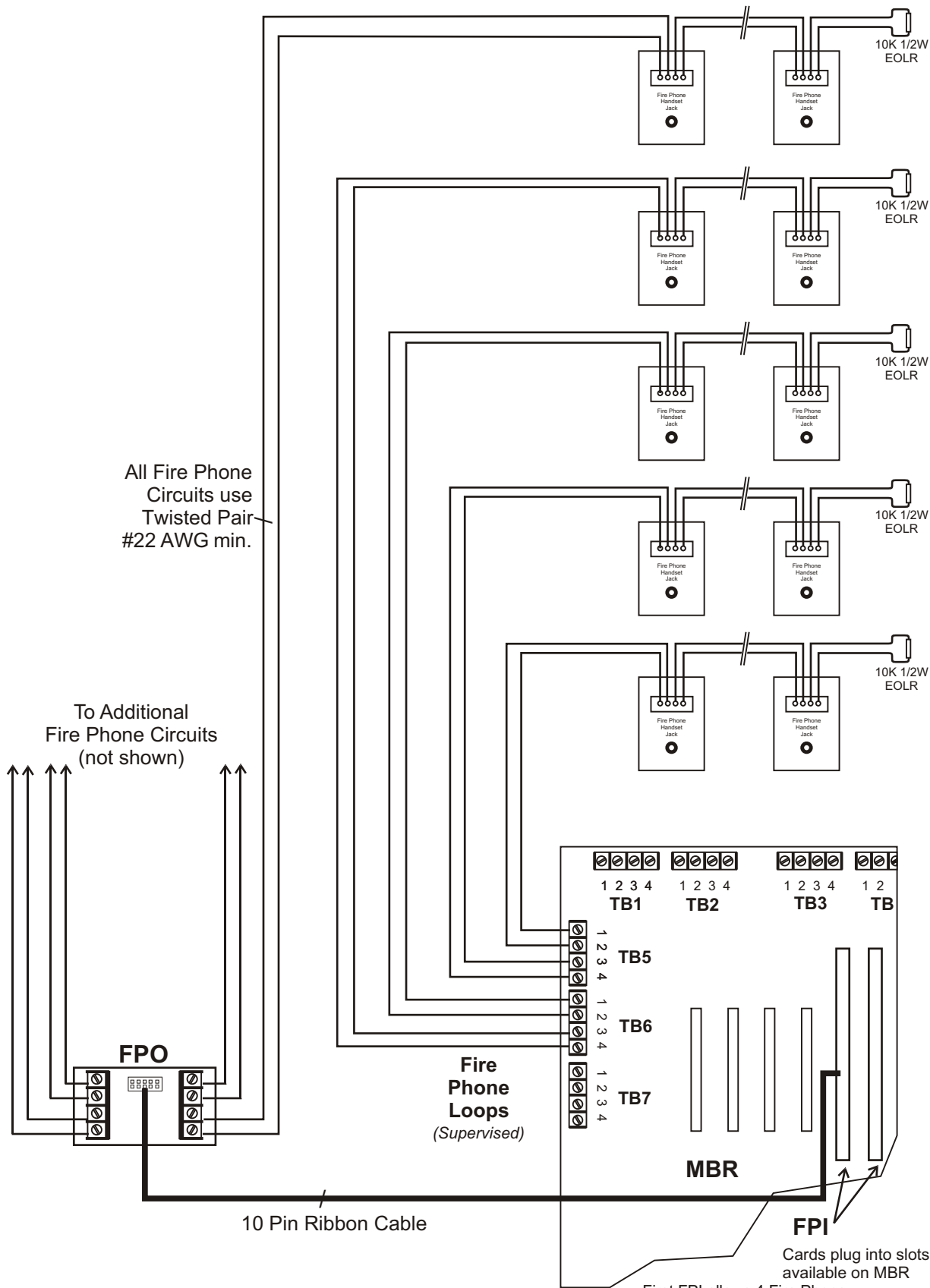
**MX-FS
MX-WS**



MEA



LISTED
Pending #S5661



All Fire Phone Circuits use Twisted Pair #22 AWG min.

To Additional Fire Phone Circuits (not shown)

Fire Phone Loops (Supervised)

MBR

FPI
Cards plug into slots available on MBR

First FPI allows 4 Fire Phone Circuits off of MBR. Adding 2nd FPI and an FPO allows 4 additional Fire Phone Circuits (16 circuits max. in any HMX-DP)

10 Pin Ribbon Cable

FPO