

**Features:**

- Tamperproof Selectable Candela Selections of 15, 30, 75, 95 and 115.
- Unit Dimension: 6.1" Square X 1.88" Deep
- Ceiling Mounting to a standard 4" X 2-1/8" Deep Backbox - No Extension Ring Required
- High Quality dBA Output (Intelligible)
- Frequency Range 400-4000Hz
- Screw Terminals, Separate In/Out Wiring (12-18 Gauge)
- Field Selectable Power Taps: 1/8W, 1/4W, 1/2W, 1W, 2W, 4W
- Speaker Voltage 25 or 70.7 VRMS Standard, Field Selectable
- To Synchronize Use the Evax Synchronization Control Module
- Tamperproof Grill
- Faceplate Available in Red or Off-White
- UL 464/UL 1971/UL 2043 Listed for Fire Protective Service/Signal for Hearing Impaired
- Xenon Strobe Maintains Constant Flash Rate (1Hz) Regardless of Input Voltage

**Description:**

The Evax SSPK or SSPK24 Series are ceiling or wall mount, selectable candela speakers and speaker/strobes designed to meet code requirements for audio, visual and voice communications. The SSPK Series are quality speaker products that offer both dependable evacuation signaling and visual alarms, or a combination of both. The high output tamperproof candela selections are 15, 30, 75, 95 and 115.

The SSPK Series can be mounted in a 2-1/8" deep square backbox, no extension ring is needed.

The SSPK Series provides a 25 or 70.7 VRMs speaker with field selectable power taps of 1/8W, 1/4W, 1/2W, 1W, 2W or 4W. The SSPK strobes can be synchronized by using the Evax Synchronization Control Module or with FACP's that include the Gentex synchronization protocol.

The SSPK Series grills are constructed of high impact textured plastic. The SSPK is warranted for 3 years from the date of purchase. The SSPK devices are UL 464 and UL 1971 listed for use with fire protective signaling systems.

**EF-G-SSPK Series**  
**Low Profile**  
**Ceiling or Wall Mount**  
**Speaker Speaker/Strobes**



EF-G-SSPK24CLPW  
 Ceiling Speaker/Strobe  
 EF-G-SSPKLPR  
 Ceiling or Wall Speaker



EF-G-SSPK24WLPx  
 Wall Speaker/Strobe  
 Selectable Candela  
 Multi-Tap speaker



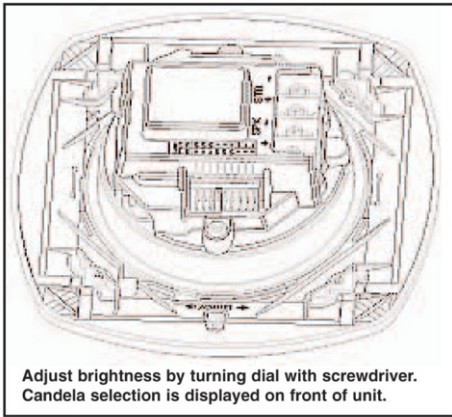
- BS & A/MEA - Pending**
- CSFM - Pending
  - UL 1971, UL 464, UL 1480 and UL 2043 Listed

- Americans with Disabilities Act (ADA)**
- NFPA 72

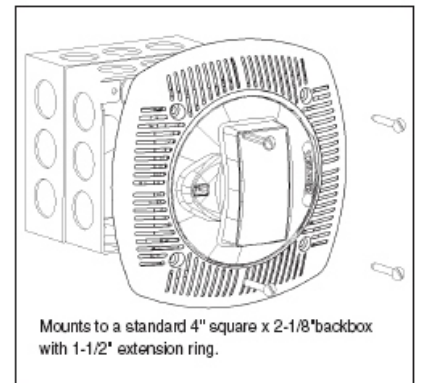
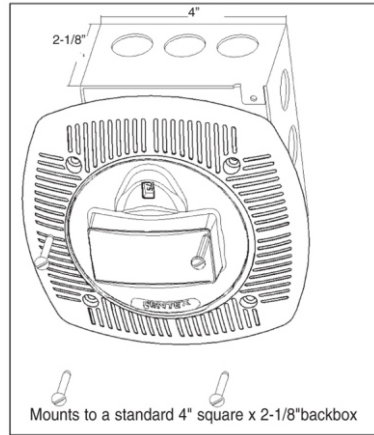
The SSPK Series provides you a 25 or 70.7 VRMS speaker with field selectable power taps of 1/8W, 1/4W, 1/2W, 1W, 2W, or 4W and high output tamperproof candela selections of 15, 30, 75, 95 and 115.

<b>Speaker dBA @ 10 ft.</b>		
<b>Input Watts</b>	<b>UL Typical dBA</b>	
	<b>25 Volts</b>	<b>70 Volts</b>
<b>1/8</b>	<b>74.6</b>	<b>73.7</b>
<b>1/4</b>	<b>77.7</b>	<b>76.7</b>
<b>1/2</b>	<b>80.5</b>	<b>79.6</b>
<b>1</b>	<b>83.1</b>	<b>82.5</b>
<b>2</b>	<b>85.6</b>	<b>85.4</b>
<b>4</b>	<b>87.9</b>	<b>87.9</b>

## SSPK24CLP Candela Selection

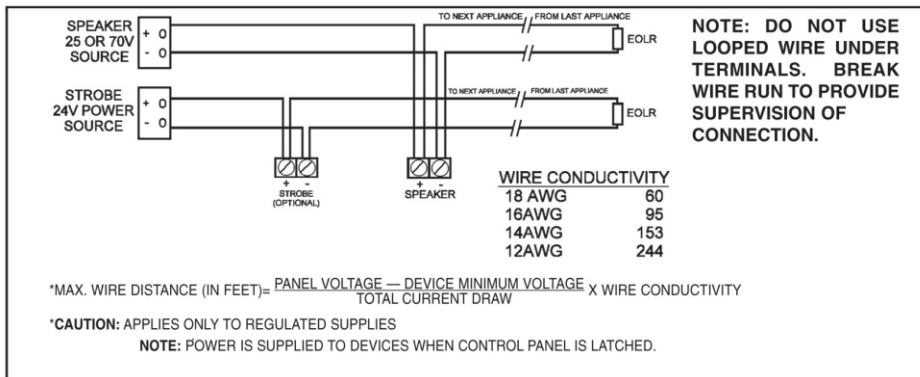


## SSPKCLP Mounting Diagram

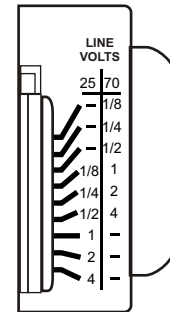


RMS current ratings are per UL average RMS method. UL maximum current rating is the maximum RMS current within the listed voltage range (16-33VDC for 24VDC units) (8-17VDC for 12VDC units). For strobes the UL max current is usually at the minimum listed voltage (16VDC for 24VDC units) (8VDC for 12VDC units). For audibles the maximum current is usually at the maximum listed voltage. For unfiltered FWR ratings, see installation manual

## Wiring Diagram



## SSPK Power tap Selection (Enlarged)



## How to Order:

EF-G-SSPKCLPR	Speaker 4" <b>Ceiling</b> or <b>Wall</b> mount - RED face plate
EF-G-SSPKCLPW	Speaker 4" <b>Ceiling</b> or <b>Wall</b> mount - WHITE face plate
EF-G-SSPK24CLPR	Speaker/Strobe 4" <b>Ceiling</b> Mount multi-candela - Labeled FIRE - RED
EF-G-SSPK24CLPW	Speaker/Strobe 4" <b>Ceiling</b> Mount multi-candela - Labeled FIRE - WHITE
EF-G-SSPK24WLPR	Speaker/Strobe 4" <b>Wall</b> Mount multi-candela - Labeled FIRE - RED
EF-G-SSPK24WLPW	Speaker/Strobe 4" <b>Wall</b> Mount multi-candela - Labeled FIRE - WHITE
EF-G-SSPK24-15/75WLPR	Speaker/Strobe 4" Wall Mount 15/75 candela Labeled FIRE - RED
EF-G-SSPK24-15/75WLPW	Speaker/Strobe 4" Wall Mount 15/75 candela Labeled FIRE - WHITE
EF-G-AVSM-R	Synchronization Module RED
EF-G-AVSM-W	Synchronization Module WHITE

## SSPKCLP CEILING MOUNT STROBE CURRENT RATINGS

Candela	15cd	30cd	75cd	95cd	115cd
24 VDC	72mA	88mA	176mA	200mA	214mA
UL Max <sup>1</sup>	120mA	130mA	272mA	318mA	360mA

## Notes:

- The EF-SSPK Series is not listed for outdoor use.
- Operating temperature: 32° to 120°F (0° to 49° C).
- EVAX does not recommend using a coded or pulsing signaling circuit with any of our strobe products.

R = Red Faceplate, W = Off-White Faceplate  
P = Plain (no lettering) Available with all models.  
12 units per carton, 17 pounds per carton

## Architect & Engineering Specifications:

The fire alarm speaker shall be Evax SSPK or equivalent. The speaker shall be capable of producing alarm tones or voice on all 25 or 70.7 VRMs audio systems. The speaker shall provide incremental tap settings of 1/8, 1/4, 1/2, 1, 2 or 4 watts. Minimum dBA ratings at 1/4 watt shall be 76.7dBA and at 4 watts 87.9dBA. Tap settings shall be adjustable with field selectable jumper pins. The speaker shall also have an optional visual signal capability.

The visual signal shall have a 1Hz flash rate regardless of input voltage. All field wiring connections shall be made via separate in-out terminal connections and the speaker or speaker strobe shall be UL, CSFM and BS&A listed and comply with all local, state and federal fire alarm codes/standards.

Specifications are subject to change without notice. Specifications are provided for information only and no responsibility is assumed by Evax Systems, Inc. for their use.