

## Products:

- **Zone Splitters - EVX-4Z / EVX-2ZA**
- **Remote Microphone - EVX-RM • EVX-SC**

## Zone Splitters:

### Features:

- 4 Class B Supervised Audio Outputs EVX-4Z
- 2 Class A Supervised Audio Outputs EVX-2ZA
- Individual Zone Switches
- All Call Switch
- Automatic General Alarm Zones  
Selectable when Alarm is Silenced  
Optional Alarm by Zone
- Individual LEDs indicate Zone Selection.
- Individual LEDs indicate Zone Trouble.
- Up to 8 Zones Mounted in EVAX 25/50
- Up to 16 Zones Mounted in EVAX 100/75
- UL Listed.
- Made in USA

The EVX-4Z or EVX-2ZA Zone Splitters allow the output of any Evax Systems audio amplifier to supervise and drive multiple zones.

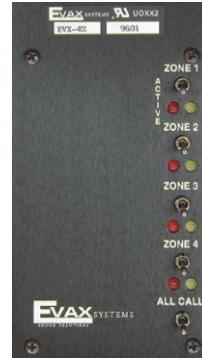
Individual zone select switches are provided which allow the manual selection of any or all voice evacuation zones for emergency paging. Automatic zone selection may be provided by the zone splitters by the connection of normally-open contacts from the Fire Alarm Control Panel (FACP) or other auxiliary control system.

An "ALL-CALL" Switch is provided which will select all voice evacuation zones for emergency paging.

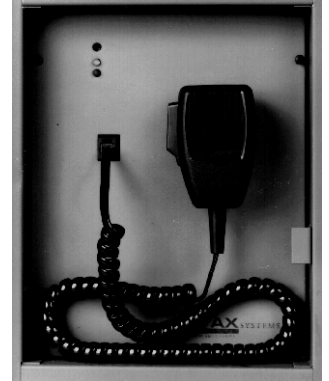
Individual LEDs are provided to annunciate zone status of either "Zone Active" or "Zone Fault".

All EVX-Series Zone Splitters are compatible with 25V and 70V voice evacuation system amplifier outputs.

## Voice Evacuation Accessories



EVX-4Z  
Four Zone Splitter



EVX-RM  
Shown with key locked door removed.

## Listings:



6911-1446:100

## Ordering Information:

Description	Model Number
Zone Splitter -Four Zone, Class B Operation	EVX-4Z
Zone Splitter -Two Zone, Class A Operation	EVX-2ZA
Remote Paging Microphone Panel	EVX-RM
Remote Paging Microphone Supervisory Card	EVX-SC

## Remote Microphone Panel:

### Features:

- All-Call Remote Microphone
- Overrides alarm tone and automatic message
- Any number of remote microphones
- Dead Front Cover Construction.
- Paging Microphone with Press to Talk Button.
- “In-Use” and “Fault” LED’s.
- Supervised Wiring.
- May be located up to 5000 feet away from Voice Evac Panel.

The EVX-RM is a supervised remote microphone for use with the EVAX 25(50) voice evacuation system. The microphone provides crystal-clear live voice messages over the system speakers. Ideal for use when the fire alarm panels are in an electrical room, and the annunciator and microphone are in the lobby.

The EVX-RM is perfectly suited for applications in gymnasiums, nightclubs, auditoriums, churches, and other places of assembly. Locate at control rooms, guard stations, and reception areas.

Up to 5 EVX-RM Panels may be connected to a single EVX-SC Supervisory Card. This provides supervision of the wires to the EVX-RM and they may be located up to 5000 feet away.

Housed in an attractive surface or semi-flush mounted backbox, with a hinged locking door. The EVX-RM features dead front construction, a microphone with a “Press-to-Talk” button, and discreet LEDs to display “In-Use” and “Fault” status.

Backbox Dim: 8 x 10 x 3“ *w-h-d*  
Color: Charcoal Grey•std Red•optional

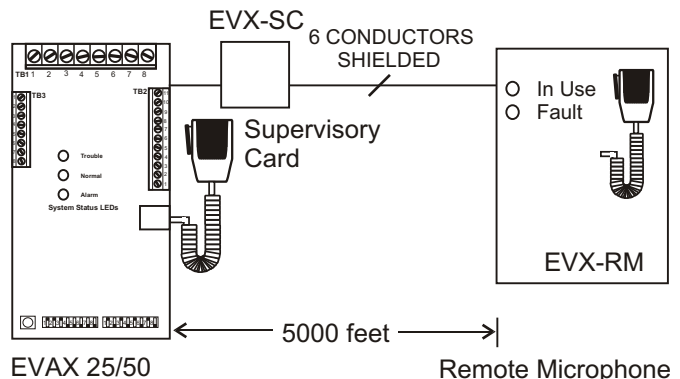
### Operation:

In the normal (Standby) mode, announcements can be made from any remote microphone at any time. Simply keying any remote microphone will allow a manual paging message to be broadcast in an “ALL-CALL” mode.

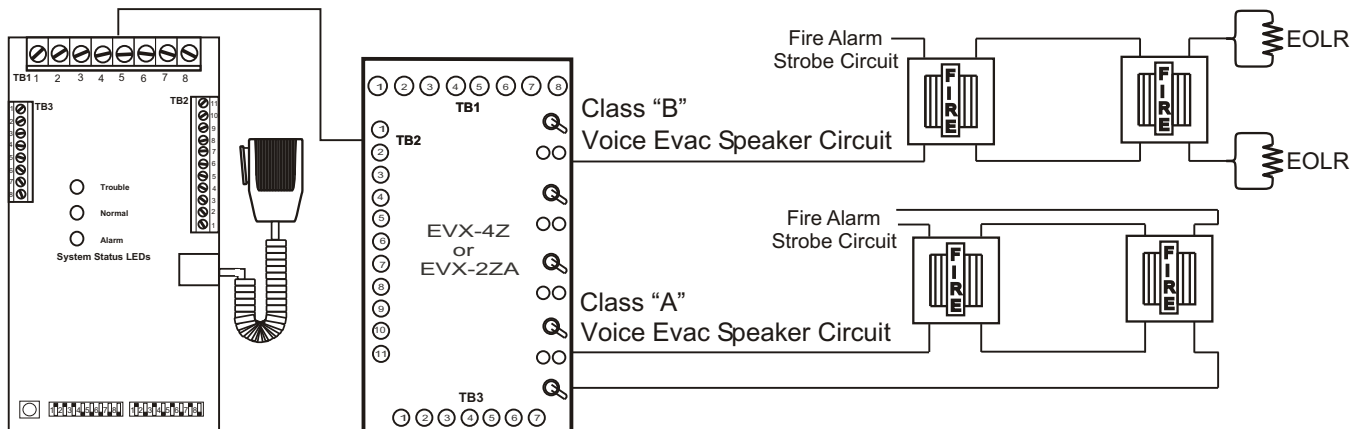
If multiple remote microphones are used, and two or more are simultaneously keyed, then the first microphone keyed will have paging priority. The paging microphone in the master will always have priority over any and all remote microphones. The EVX-RM can be wired for general public address, and will be automatically disabled on alarm.

In the alarm mode, the keying of any remote microphone will interrupt any pre-recorded tone or message, and will allow manual voice evacuation messages to take priority. When the microphone Press-to-Talk key is released, the automatic pre-recorded voice evacuation message (typically tone and voice) will be replayed from the start.

### Typical Application of Remote Microphone



### Typical Application of EVX-4Z Zone Splitter



### Simplified Block Diagram

Specifications are subject to change without notice. Specifications are provided for information only and no responsibility is assumed by Evax Systems, Inc. For their use.