

Emergency Communication Mass Notification Systems

Features:

- Combines Remote Mic and control switches in a single cabinet
- 6 conductors carry Power, Audio and Control
- Up to 30 EVX-RM8 units in a system
- Up to 4000 points in a system
- Compact design for ease of installation
- Cabinet mounts Semi Flush or Surface
- Made in the USA.

Description:

The Evax EVX-RM8 is a supervised remote microphone station with the addition of control switches for message activation, zone select or control functions.

The microphone provides crystal clear live voice instructions over the system speakers. Control switches give the added ability of activating pre-recorded messages/tones for emergency or operational conditions from a remote location.

Switches may also be used for selective zone control when used in conjunction with an EVX-4Z Zone Splitter.

The EVX-OL8 will provide output control that may be assigned to a switch, input or function like Alarm or PTT.

The EVX-IL8 provides additional input points that may be activated by an external N.O. Dry Contact closure.

Switch, Input and Output cards may be used in any combination with a maximum quantity of 16, at any control point.

6 conductors carry 24V Power, Audio and RS485 Data for control functions. Wire may be run as far as 4000'.

EVX-RM8 is compatible with Evax Conventional Audio evac systems (EVAX 25, 50, 100) or HMX Distributed Audio. System integrity is constantly monitored to insure reliable performance when critical conditions demand instant communications.

EVX-RM8 Remote Mic w/Select Switches



EVX-RM8 shown with cabinet door removed

Ordering Information:

- EVX-RM8** Remote Mic, 8 Select Switches
Cabinet back box 8 x 10 x 3" w•h•d Charcoal Grey
- EVX-RMR8** Remote Mic, 8 Select Switches
Cabinet: Red
- EVX-RM16** Remote Mic, 16 Select Switches
Cabinet back box 10 x 14 x 3" w•h•d Charcoal Grey
- EVX-RMR16** Remote Mic, 16 Select Switches
Cabinet: Red

For larger switch configurations consult factory

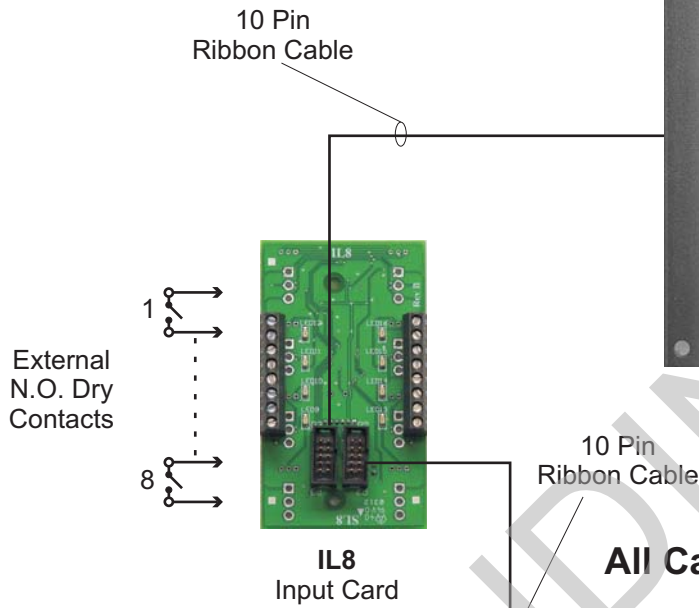
- EVX-SL8** 8 position Switch/LED Card
- EVX-IL8** 8 position Input/LED Card
- EVX-OL8** 8 position Output/LED Card
- EVX-ISC** Intelligent Supervisory Card
Only required with HMX system

Up to 30 Remote MIC Stations

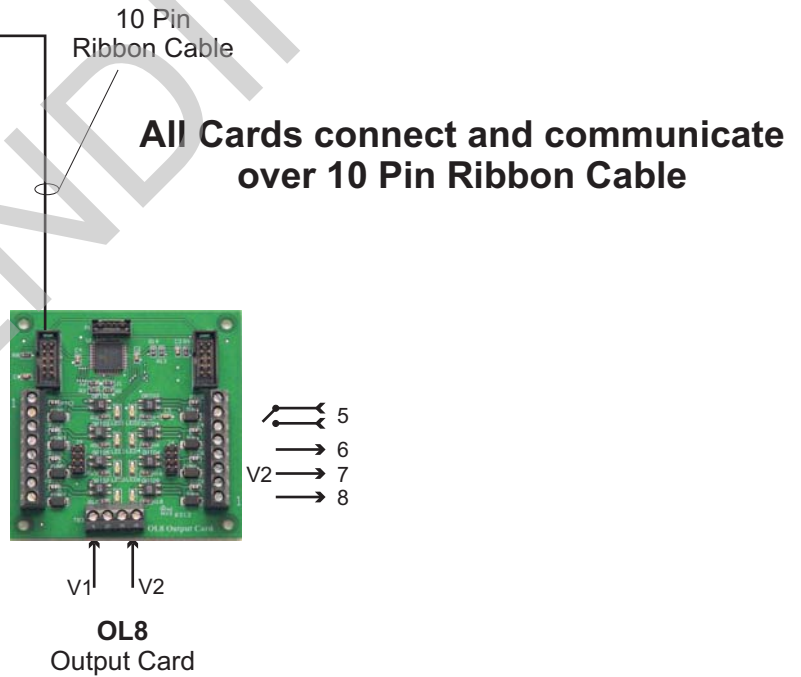
System capacity of 4000 points



EVX-RM8



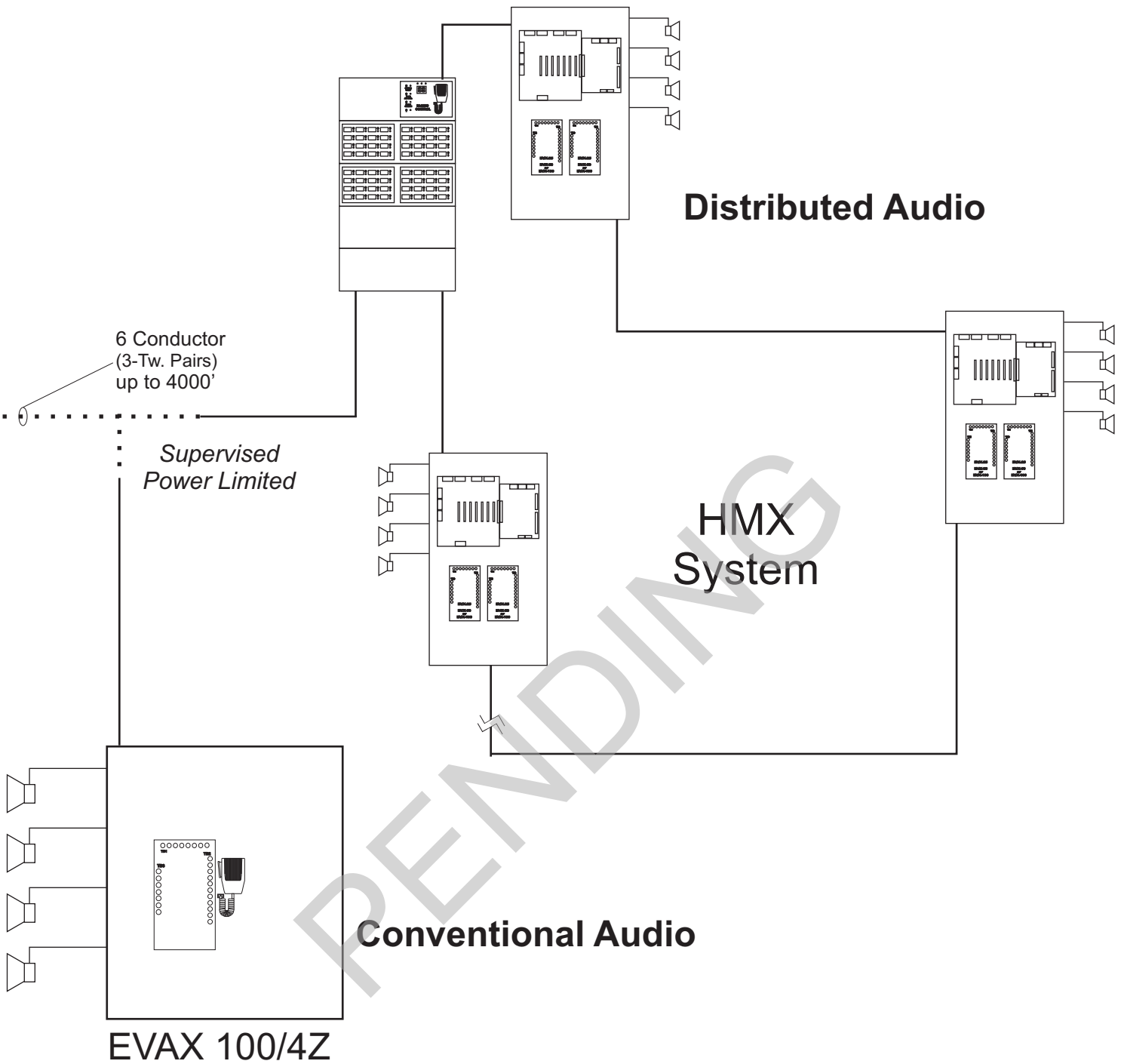
Input & Output points may follow Switch programming or be programmed for unique functions



Outputs may be field configured as N.O. Dry Contacts or as separate V drive points

All Cards connect and communicate over 10 Pin Ribbon Cable

Up to 16 SL8 Switch, IL8 Input or OL8 Output cards in any combination



EVX-RM8 is compatible with either Evax Conventional Audio or HMX Distributed Audio systems.

Microphone operation is typically All-Call.

Select switches are used to activate messages/tones for emergency or operational conditions. Additional Switches can be added and programmed for Page Zone selection or Output Control.

Message priority is automatically assigned by Switch number. Message assigned to Switch 1 is a higher priority than Switch 2. Switch 2 is a higher priority than Switch 3 and so on.

When used with HMX Distributed systems, EVX-RM8 is limited to Page All Call and Message Selection only

Remote MIC I-Card



MIC Input

Active/Fault LED *Flashes Green to indicate communication, steady Amber to indicate Fault*

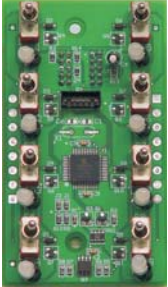
In-Use LED *Indicate steady Red to show lockout.*

Remote Mic is locked out if any other MIC is In-Use. When the In-Use MIC releases PTT, the Remote MIC will be able to Page. Primary MIC in the EVAX 25/50/100 or HMX Master Panel will always have highest priority and be able to override any Remote MIC.

EVX-RMI

3.625 x 3.25" H x W

Switch-LED Card



8 - SPDT Momentary Switches

8 - Tri-Color LEDs *Green/Red/Amber*

Switches may be programmed for Message Activation, Paging or Control
Switch LEDs will indicate steady Green on Message Activation.

When used in conjunction with the EVX-4Z Zone Splitter, the SL8 may be programmed for Page Zone control. LEDs for Switches assigned to Page Zones will indicate Red for Page and flashing Red for Alarm. The LED will indicate Amber if the associated speaker circuit is in fault.

EVX-SL8

4.0 x 2.25" H x W

Switches may alternately be programmed for Control functions. On activation a corresponding point on an OL8 Output Card will follow. Switch LEDs will indicate steady Red on activation.

Input-LED Card



8 - Input Points

8 - LEDs *Red*

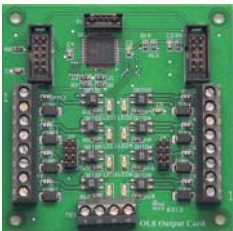
Inputs will accept external N.O. Dry contacts.

Inputs may be programmed for Message Activation or Control. On activation, corresponding Input LED will indicate.

EVX-IL8

4.0 x 2.25" H x W

Output-LED Card



8 - Output Points

8 - LEDs *Red*

Outputs are a solid state N.O. Dry Contact, 120mA Max @ 0 - 240V. Outputs may be separately tied to a Voltage, 0 to 240V, and feed that Voltage as a drive point. Outputs 1 - 4 and Outputs 5 - 8 may use the same or different Voltage references.

Outputs may be programmed to follow Message Activation, Page or Control. On activation, corresponding Input LED will indicate.

EVX-OL8

3.25 x 3.25" H x W